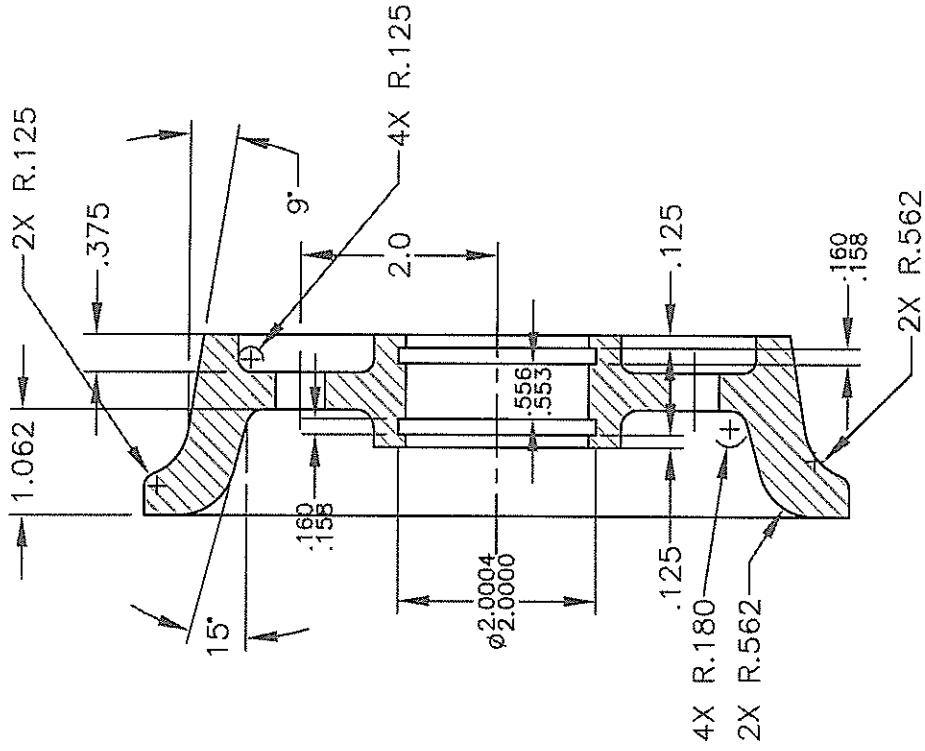
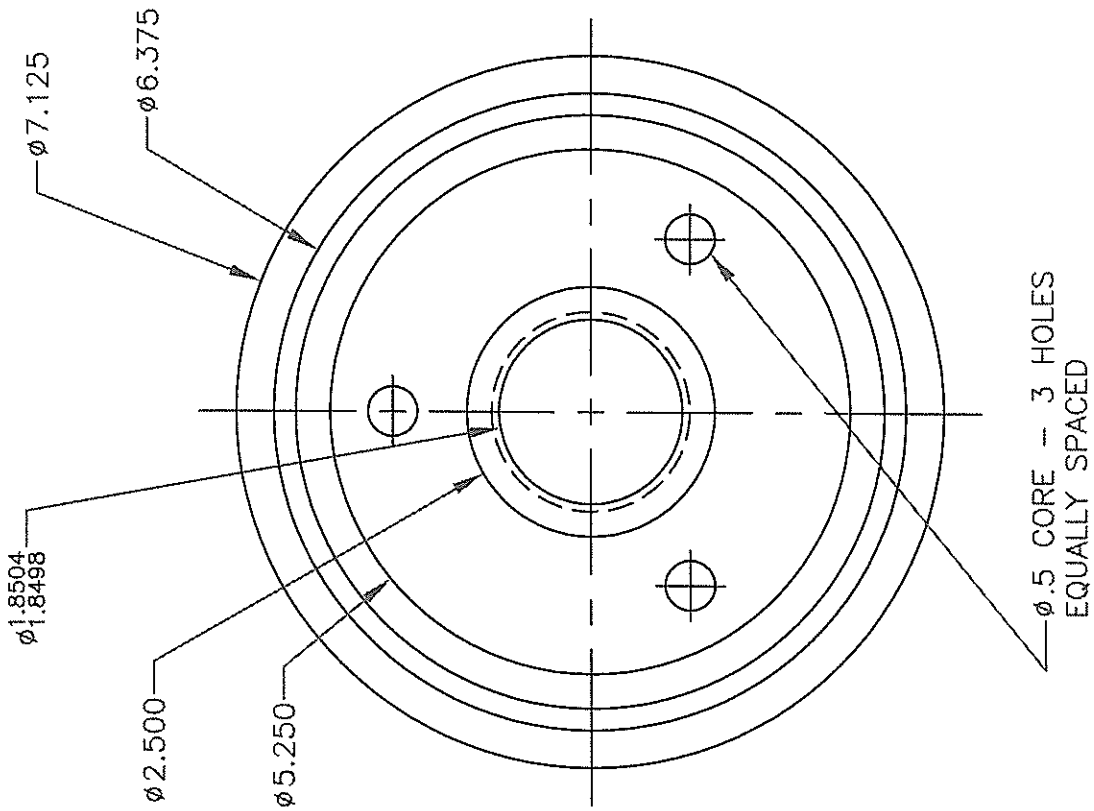
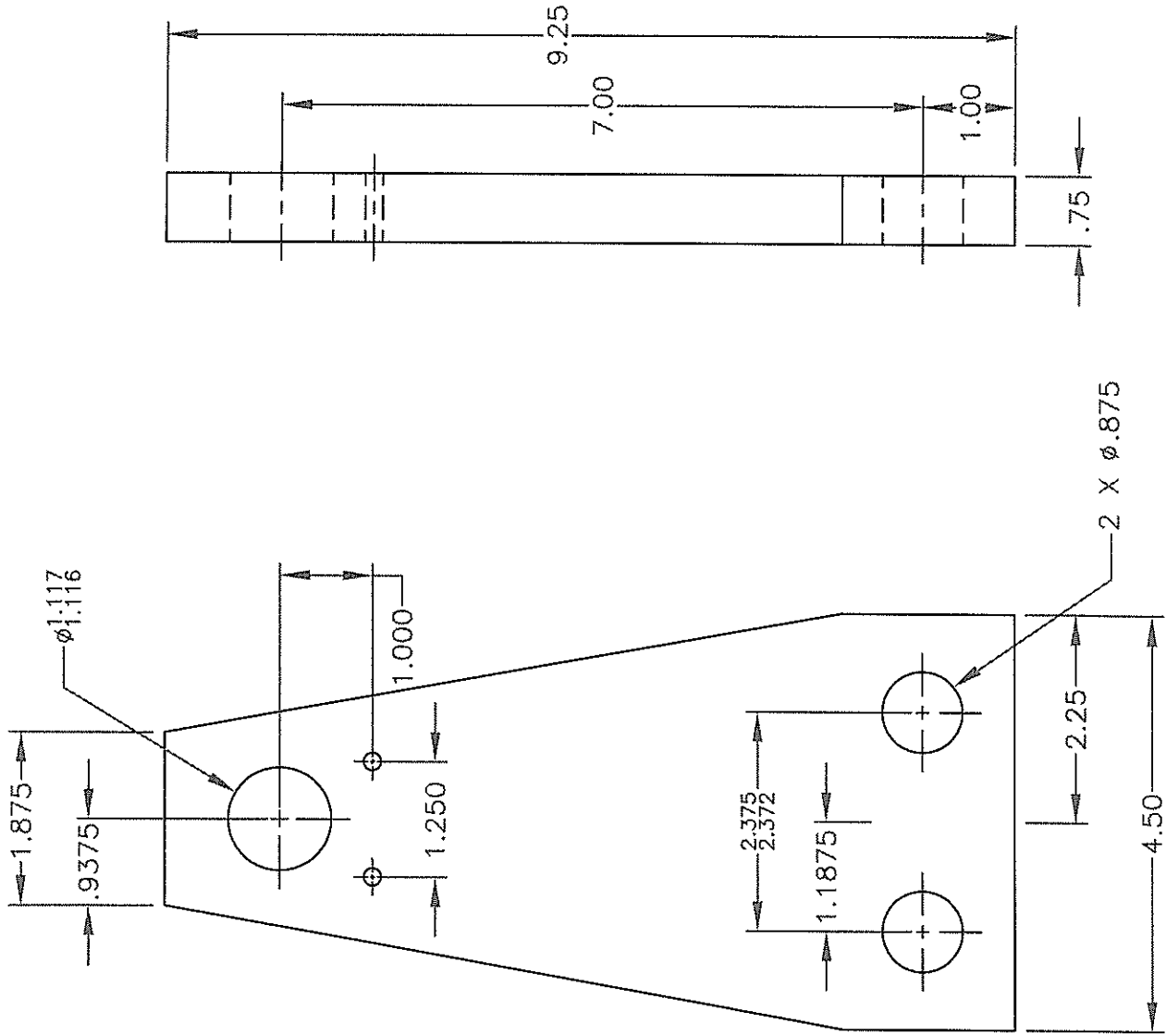


ITEM	QTY	DESCRIPTION
1	2	TROLLEY WHEEL
2	2	SIDE PLATE
3	1	CROSS HEAD
4	2	AXLE
5	2	ADJUSTING SHIM
6	2	KEEPER PLATE
7	2	DEPARTURE BALL BEARING
8	2	AXLE SNAP RING
9	4	WHEEL SNAP RING
10	2	.875 X 8.25 SF HEX HD BOLT
DRILL .187 COTTER PIN HOLE .187 FROM TIP		
11	2	.875 SF SLOTTED HEX NUT
12	8	.875 SAE PLAIN WASHER
13	2	.156 X 1.5 SAE COTTER PIN
14	2	#10(.190)X.625 ROUND HD MACH SCR
TITLE: TROLLEY ASSEMBLY		
NAME: DAVID ROGERS		
DATE: 05/06/2013		CLASS: DESN-104
SCALE: FULL		CHK'D BY: TOWNSEND

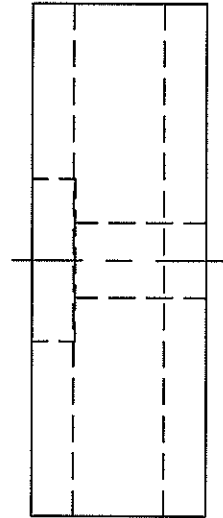
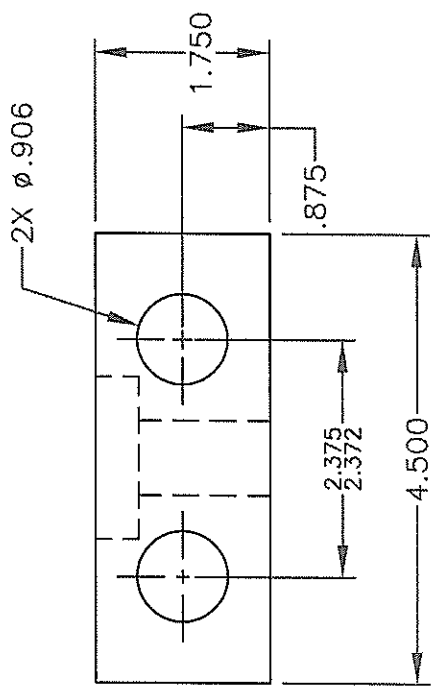
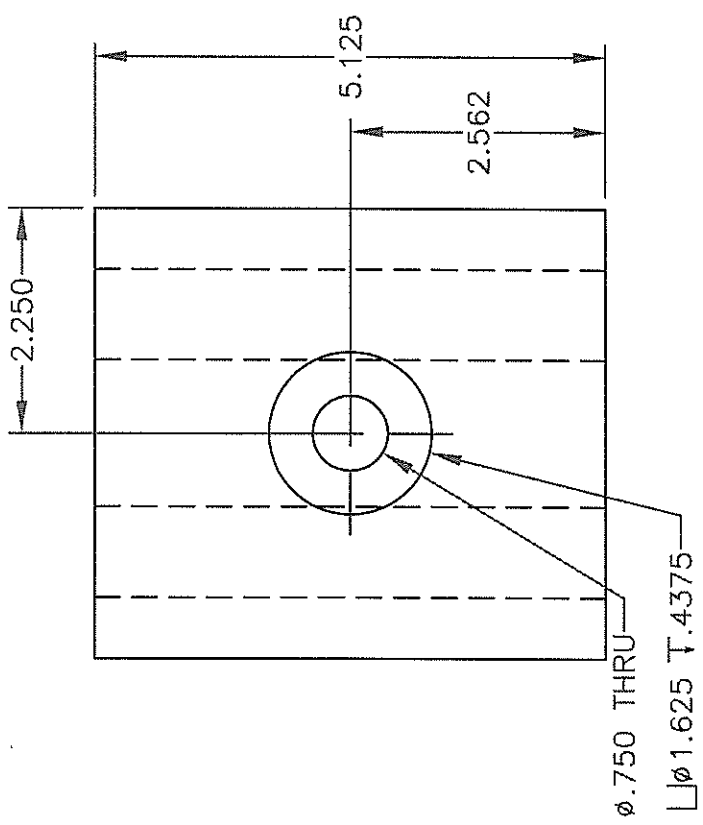


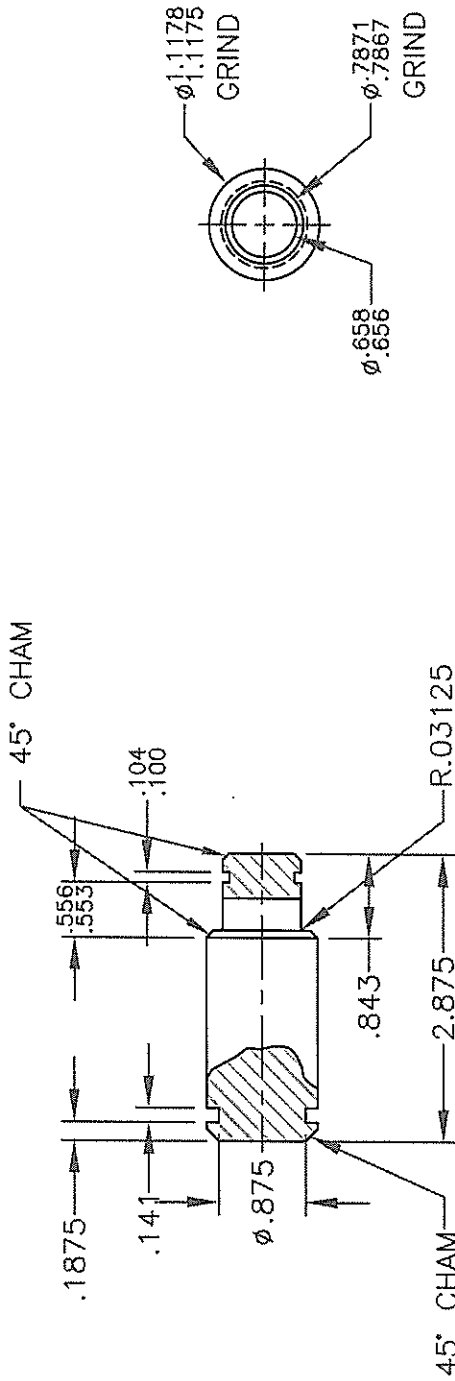
ITEM	QTY	DESCRIPTION
DR. TITLE:	#1:	TROLLEY WHEEL
NAME:	David Rogers	
DATE:	05/05/2013	CLASS: DSN-104
SCALE:	FULL	CHK'D BY: TOWNSEND



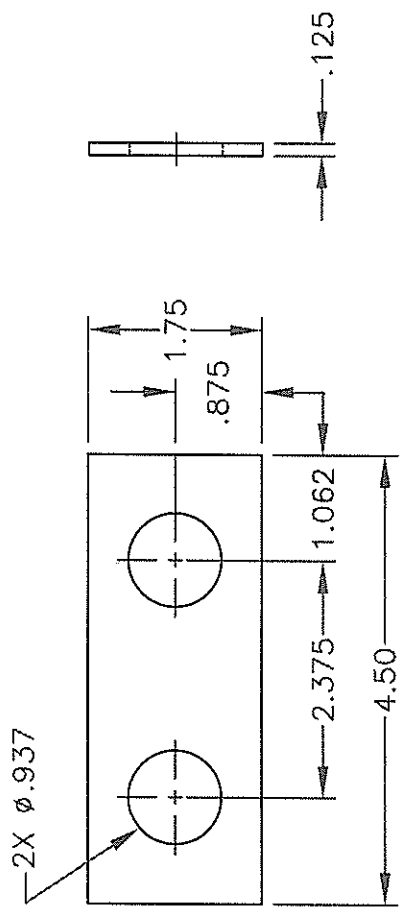
ITEM	QTY	DESCRIPTION
DR TITLE:	2:	SIDE PLATE
NAME:	David Rogers	
DATE:	04-22-2013	CLASS: DSN-104
SCALE:	FULL	CHK'D BY: TOMHSEND

ITEM	QTY	DESCRIPTION
DR. TITLE:	#3:	CROSS HEAD
NAME:	David Rogers	
DATE:	04-22-2013	CLASS: DSN-104
SCALE:	FULL	CHK'D BY: TOWNSEND

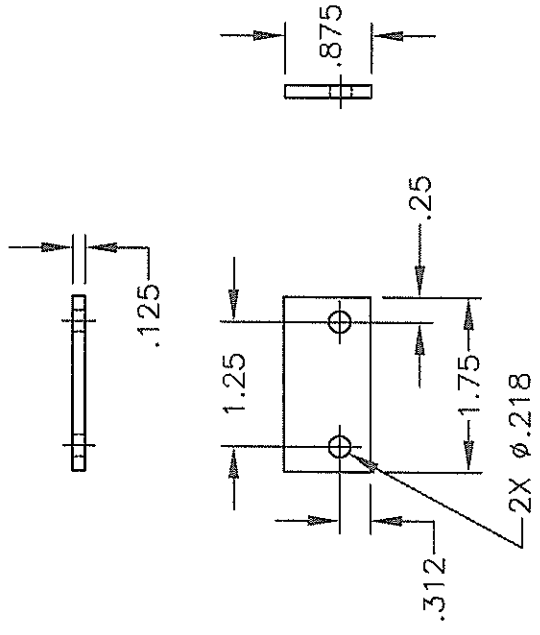




ITEM	QTY	DESCRIPTION
DR TITLE:	4:	AXLE
NAME:	David Rogers	
DATE:	04-22-2013	CLASS: DSN-104
SCALE:	FULL	CHK'D BY: TOWNSEND

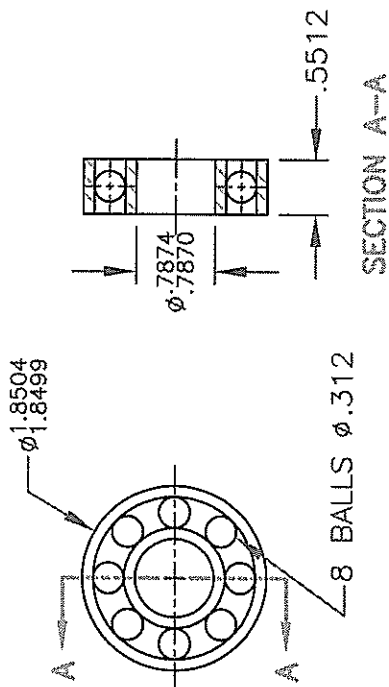


ITEM	QTY	DESCRIPTION
DR TITLE:	#5:	ADJUSTING SHIM
NAME:	David Rogers	
DATE:	04-29-2013	CLASS: DSN-104
SCALE:	FULL	CHK'D BY: TOWNSEND

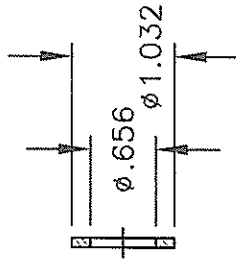
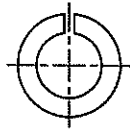


ITEM	QTY	DESCRIPTION
DR TITLE:	#6:	KEEPER PLATE
NAME	David Rogers	
DATE:	04-29-2013	CLASS: DSN-104
SCALE:	FULL	CHK'D BY: TOWNSEND

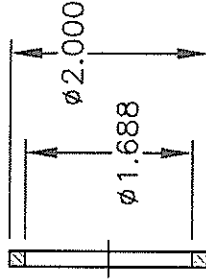
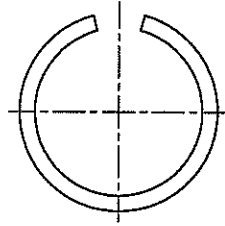
ITEM	QTY	DESCRIPTION
DR TITLE:	#7:	NEW DEPARTURE BALL BEARING
NAME:	David Rogers	
DATE:	04-29-2013	CLASS: DSN-104
SCALE:	FULL	CHK'D BY: TOWNSEND



#8: AXLE SNAP RING



#9: WHEEL SNAP RING



ITEM	QTY	DESCRIPTION
DR TITLE:	#8, #9	AXLE AND WHEEL SNAP RINGS
NAME	David Rogers	
DATE	05-05-2013	CLASS: DSN-104
SCALE	FULL	CHK'D BY: TOWNSEND